




► Model 225XL


Electraray® Hazardous Location LED Warning Light

Model 225XL is a hazardous location warning light available in 24 Vac/dc or self-detecting 120-240 Vac. The unit comes standard in flashing mode and is field-configurable to steady.

The zinc diecast alloy, e-coated base features a 1/2-inch NPT pipe mount, inner fresnel lens, and clear polycarbonate outer dome. The clear dome can be removed quickly for easy access to perform maintenance.

225XL is designed to protect against corrosion, vibration, water- and dust-ingress, and high-pressure and temperature washdowns. The unit is ideal in harsh and hazardous applications, including industrial warning, process control, status indication, food processing, and oil and gas environments.





LENS COLOR OPTIONS

●
●
○
●
●

FEATURES

- Available in 24 Vac/dc and 120–240 Vac
- Five lamp/lens colors: Amber, Blue, Clear, Green, and Red
- Flashing mode standard, configurable to steady-burn
- 50,000-hour, vibration-resistant LED lamp
- 1/2-inch NPT pipe mount
- Type 4X, IP66 enclosure
- IP69K compliant
- Marine Listed
- UL and cUL Listed for Class I, Division 2, Groups A, B, C and D; Class II Division 2, Groups F and G; Class III
- NSF Certified

MODEL	VOLTAGE	OPERATING CURRENT	IN-RUSH CURRENT	FLASH RATE / MINUTE	LIGHT OUTPUT	MOUNT
225XL-024*	24 Vac/dc	0.38 A	1.75 A, 5.0 mS	60	238 cd	1/2-inch NPT Pipe
225XL-120-240*	120-240 Vac	0.21-0.13 A	2.00 A, 0.25 mS	60	238 cd	1/2-inch NPT Pipe

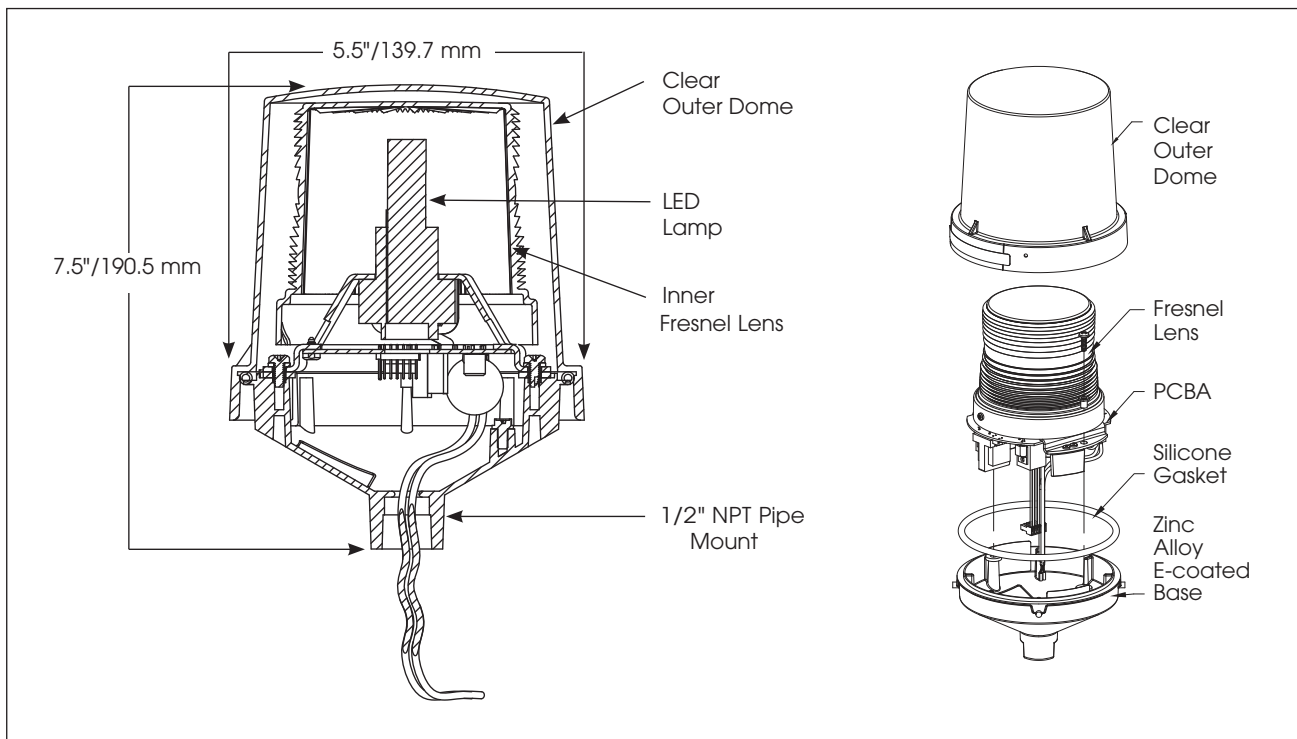
* Indicates color: (A) Amber, (B) Blue, (C) Clear, (G) Green, or (R) Red

HAZARDOUS LOCATION RATING: 225XL

T-CODE AT MAXIMUM AMBIENT TEMPERATURE, °C

Hazardous Location	40°C	55°C	66°C
Class I, Division 2, Groups A, B, C, D	T6	T5	T4A
Class II, Division 2, Groups F, G	T6	T6	T6
Class III	T6	T6	T6

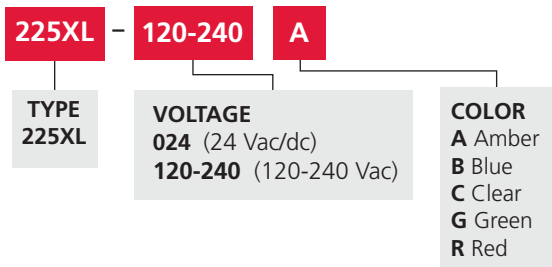
Electrarray® Hazardous Location LED Warning Light (225XL)



SPECIFICATIONS

Lamp Life:	50,000 Hours
Light Source:	LED
Operating Temperature:	-58° to 150°F (-50° to 66°C)
Net Weight:	3.2 lb (1.5 kg)
Shipping Weight:	4.0 lb (1.8 kg)
Height:	7.5 in (190.5 mm)
Diameter:	5.5 in (139.7 mm)

HOW TO ORDER



ACCESSORIES

Description	Part Number
Hazardous Location Mounting Bracket	LHWB

REPLACEMENT PARTS

Description	Part Number
PC Board Assembly, 24 Vac/dc	K2005455A
PC Board Assembly, 120/240 Vac	K2005416A
LED Lamp, Amber	K14700030A-A
LED Lamp, Blue	K14700030A-B
LED Lamp, Clear	K14700030A-W
LED Lamp, Green	K14700030A-G
LED Lamp, Red	K14700030A-R
Exterior Dome, Clear ¹	K8444D219C-04
Interior Lens Kit, Amber ¹	K8550292A-02
Interior Lens Kit, Blue ¹	K8550292A-01
Interior Lens Kit, Clear ¹	K8550292A
Interior Lens Kit, Green ¹	K8550292A-04
Interior Lens Kit, Red ¹	IK8550292A-03

¹ Includes 1 dome gasket